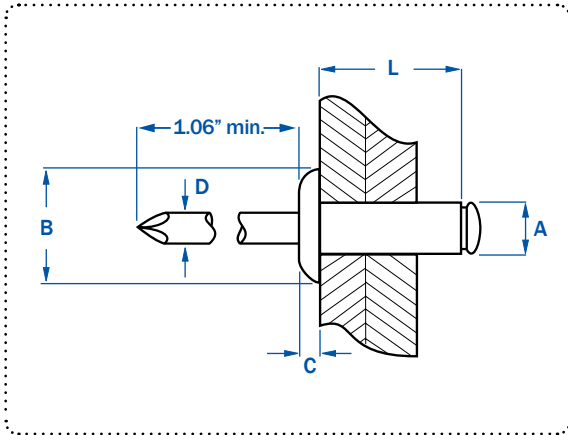


RIVETKING® LONG LENGTH RIVET

ALUMINUM/ STEEL LONG LENGTH BLIND RIVETS DOME HEAD



Long length blind rivets are used in areas that require a thick grip range that goes beyond standard sizes. Used in insulation, roofing or other industrial extended grip, blind side applications.



RIVET: ALUMINUM
MANDREL: STEEL, TRIVALENT ZINC PLATED

PART NUMBER	A		L		B		C		D						
	RIVET SIZE	GRIP RANGE	LENGTH	HEAD DIA	HEAD HEIGHT	MANDREL DIA	HOLE SIZE	SHEAR	TENSILE						
		MIN-MAX	MAX	NOM.	NOM.	NOM.	MAX	LBS.	LBS.						
01050004035	5/32"	1.02 - 1.25	1.38	.300	.047	.083	.161	180	220						
01050004040		1.25 - 1.44	1.57												
01050005040		1.18 - 1.38	1.57												
01050005045		1.37 - 1.58	1.77												
01050005050		1.57 - 1.77	1.97												
01050005055		1.77 - 1.98	2.17												
01050005060		1.98 - 2.17	2.37												
01050005065		2.17 - 3.26	2.57												
01050005070		2.36 - 2.56	2.77												
01050005075		2.56 - 2.75	2.95												
01050005080		2.76 - 2.95	3.15												
01050005090		2.95 - 3.35	3.54							.366	.060	.108	.200	450	618
010500050100		3.35 - 3.74	3.93												
010500050110		3.74 - 4.13	4.33												
010500050120	1.14 - 4.53	4.72													
010500050130	4.52 - 4.92	5.12													
010500050140	4.92 - 5.32	5.52													
010500050150	5.32 - 5.71	6.29													
010500050160	5.71 - 5.91	4.77													
010500050170	6.10 - 6.50	6.70													
010500050180	6.50 - 6.89	7.09													
010500050190	6.89 - 7.29	7.50													
01050006480	1/4"	1.65 - 2.87	3.15	.512	.079	.142	2.56	550	765						
010500064100		2.87 - 3.66	3.93												
010500064120		3.66 - 4.45	4.72												
010500064150		4.45 - 5.63	6.91												
010500064175		5.63 - 6.61	6.89												
010500064200		6.61 - 7.60	7.87												

3/16" **

The 3/16" rivets are made according to din7337 standard in which the body diameter is actually 5mm (.196). The 3/16" inch designation has been applied as a reference only as the actual rivet is .196 diameter. Please insure the hole design is greater then .200 to accommodate the rivet.

