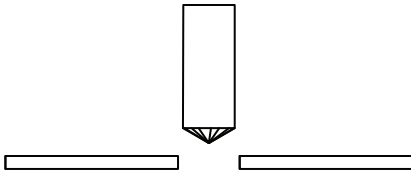


Screw in counter-clockwise



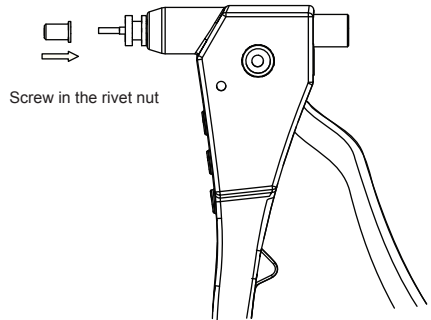
INSTRUCTIONS

1.



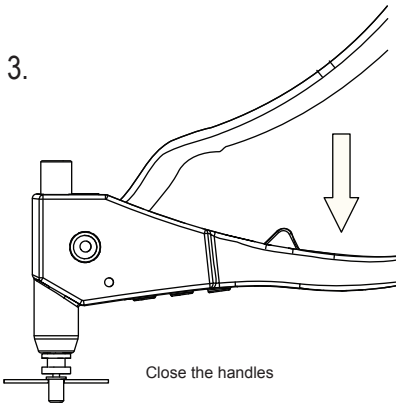
Determine thread size, material and type required.
Drill proper size hole in workpiece.

2.



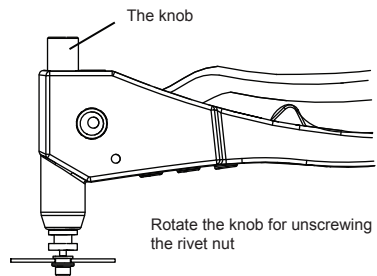
Screw in the rivet nut

3.



Close the handles

4.

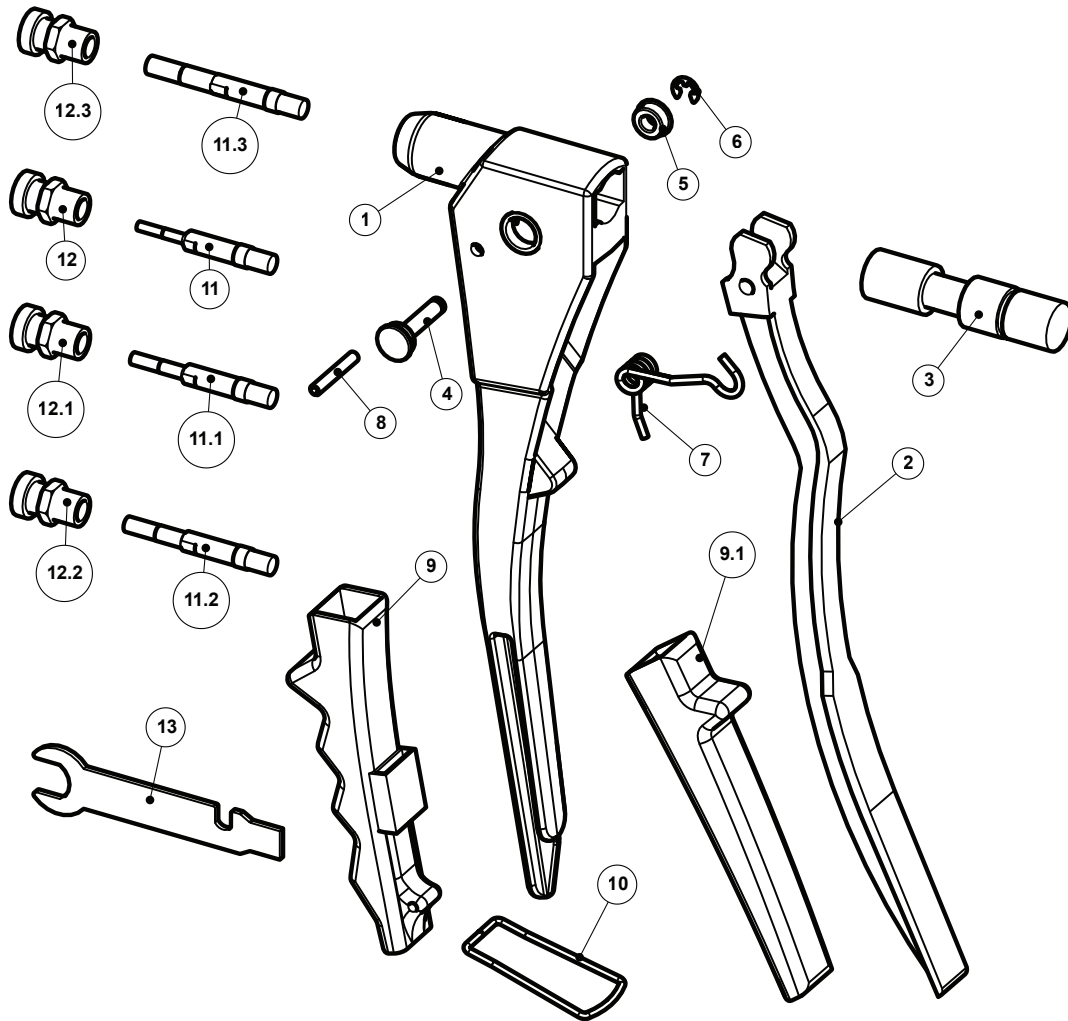


The knob

Rotate the knob for unscrewing
the rivet nut



200 Paris Avenue
 Northvale, NJ 07647
 Tel: (201) 750-1040
 Fax: (201) 750-1050



PART #	DESCRIPTION	Qty
1	BODY FRAME	1
2	HANDLE	1
3	DRAWBAR LEAD	1
4	PIN	1
5	COLLAR	1
6	E-4 WASHER	1
7	TORQUE SPRING	1
8	HOLLOW PIN	1
9	GRIP (FRONT)	1
9.1	GRIP (BACK)	1
10	LOCKING RING	1
11	M3 (#6-32) Mandrel	1
11.1	M4(#8-32) Mandrel	1
11.2	M5 (#10) Mandrel	1
11.3	M6 (1/4-20) Mandrel	1
12	Fixing Screw (M3 / #6-32)	1
12.1	Fixing Screw (M4 / #8-32)	1
12.2	Fixing Screw (M5 / #10)	1
12.3	Fixing Screw (M6 / 1/4-20)	1
13	Spanner	1