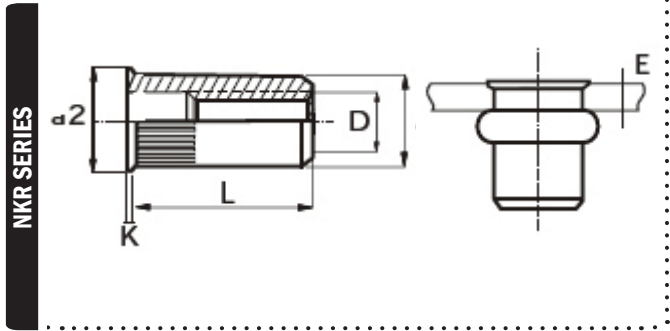


NKR SERIES™ - KNURLED BODY, REDUCED HEAD EUROPEAN STANDARD RIVETNUTS - HEAVYWALL RIVETNUTS

The RivetKing NKR Series is a heavywall European Style Rivetnut. This robust design upgrades the thickness of both the body. The NIK-R series offers higher pullout resistance and increased endurance of the joint and assembly. The NKR series has a reduced head and a knurled body which resist spin out. Spin-Pull tools are recommended for installation of NIK series rivetnuts.



	PART CODE	THREAD SIZE (INCH)	GRIP CODE	GRIP RANGE	OVERALL LENGTH	HEAD DIA	HEAD HEIGHT	BODY DIA.	HOLE SIZE
					Ref.	Ref.	Ref.	Ref.	+ .000/- .004
INCH	6C1NKR	6-32 UNC	#1	.027 - .125	.445	.261	.012	.2335	.238
	8C1NKR	8-32 UNC	#1	.027 - .125	.445	.261	.012	.2335	.238
	8C2NKR	8-32 UNC	#2	.125 - .224	.551	.261	.012	.2335	.238
	10F1NKR	10-32 UNC	#1	.027 - .125	.543	.311	.016	.2715	.276
	10F2NKR	10-32 UNC	#2	.125 - .224	.650	.311	.016	.2715	.276
	25C1NKR	1/4-20 UNC	#1	.027 - .125	.594	.371	.016	.3315	.336
	25C2NKR	1/4-20 UNC	#2	.125 - .224	.701	.371	.016	.3315	.336
	31C1NKR	5/16-18 UNC	#1	.027 - .125	.744	.453	.016	.4125	.417
	31C2NKR	5/16-18 UNC	#2	.125 - .224	.850	.453	.016	.4125	.417
	37C1NKR	3/8-16 UNC	#1	.030 - .140	.906	.531	.020	.4915	.496
	37C2NKR	3/8-16 UNC	#2	.140 - .240	1.012	.531	.020	.4915	.496
	50C1NKR	1/2-13 UNC	#1	.039 - .157	1.063	.669	.024	.6285	.634

	PART CODE	THREAD SIZE (METRIC)	GRIP CODE	GRIP RANGE	LENGTH	HEAD DIA	HEAD HEIGHT	BODY DIA.	HOLE SIZE
					Ref.	Ref.	Ref.	Ref.	+ .00/- .01
METRIC	.30C1NKR	M3	#1	0.25 - 2.00	9.75	6.00	0.30	5.00	5.10
	.40C1NKR	M4	#1	0.25 - 3.00	9.50	7.00	0.30	6.00	6.10
	.40C2NKR	M4	#2	3.00 - 4.50	12.25	7.00	0.30	6.00	6.10
	.50C1NKR	M5	#1	0.25 - 3.00	12.00	8.00	0.40	6.90	7.10
	.50C2NKR	M5	#2	3.00 - 5.50	15.00	8.00	0.40	6.90	7.10
	.60C1NKR	M6	#1	0.50 - 3.00	14.50	10.00	0.40	8.90	9.10
	.60C2NKR	M6	#2	3.00 - 5.50	16.50	10.00	0.40	8.90	9.10
	.80C1NKR	M8	#1	0.50 - 3.00	16.50	12.00	0.40	10.90	11.10
	.80C2NKR	M8	#2	3.00 - 5.50	18.50	12.00	0.40	10.90	11.10
	.100C1NKR	M10	#1	0.50 - 3.50	19.50	14.00	0.50	13.00	13.10
	.100C2NKR	M10	#2	3.50 - 6.00	21.50	14.00	0.50	13.00	13.10
	.120C1NKR	M12	#1	1.00 - 4.00	25.00	17.00	0.60	16.00	16.10

THE PART NUMBER IS COMPLETE BY ADDING THE MATERIAL AND FINISH CODES AS A SUFFIX TO THE PART CODE:

MATERIAL/FINISH CODES: SY = Steel, Zinc Yellow ROHS
 SZ = Steel, Zinc Clear ROHS †
 SC = Steel, Cad Yellow Plated
 SZN = Steel, Zinc Nickel 800 Hours
 BP = Brass, Plain Finish

EXAMPLE:
 Part Code 6C1NKR in Steel, Zinc Clear Plating is...
 6C1NKR SZ

† Indicates stocked configurations

